

Copyright Information

Copyright © 2020 by LAUNCH TECH. CO., LTD. All rights reserved. No part of this publication may be reproduced, stored in a retrieval system, or transmitted in any form or by any means, electronic, mechanical, photocopying, recording or otherwise, without the prior written permission of LAUNCH.

Disclaimer of Warranties and Limitation of Liabilities

All information, specifications and illustrations in this publication are based on the latest information available at the time of printing. Launch reserves the right to make changes at any time without prior notice.

Safety Instructions

Before using this test equipment, please read the following safety information carefully.

- Always perform automotive testing in a safe environment.
- Wear an ANSI-approved eye shield when testing or repairing vehicles.
- The vehicle shall be tested in a well-ventilated work area, as engines produce various poisonous compounds (hydrocarbon, carbon monoxide, nitrogen oxides, etc.)
- Do not connect or disconnect any test equipment while the ignition is on or the engine is running.
- Put blocks in front of the drive wheels and never leave the vehicle unattended while testing.
- Do not drive the vehicle and operate the test equipment at the same time. Any distraction may cause an accident.
- Keep clothing, hair, hands, tools, test equipment, etc. away from all moving or hot engine parts.
- Keep a fire extinguisher suitable for chemical, gasoline and electrical fires nearby.
- Before starting the engine, put the gear lever in NEUTRAL (for manual transmission) or PARK (for automatic transmission) to avoid injury.
- To avoid damaging the test equipment or generating false data, please make sure the vehicle battery is fully charged and the connection to the vehicle DLC (Data Link Connector) is clear and secure.
- Automotive batteries contain sulfuric acid that is harmful to skin. In operation, direct contact with the automotive batteries should be avoided. Keep the ignition sources away from the battery at all times.
- CAUTION: Please use the included power adaptor to charge your tool. No responsibility can be assumed for any damage or loss caused as a result of using power adaptors other than the one supplied.
- DANGER: Do not attempt to replace the internal rechargeable lithium battery. Risk of explosion if the battery is replaced with an incorrect type. Contact the dealer for factory replacement.
- The tool is a sealed unit. There are no end-user serviceable parts inside. All internal repairs must be done by an authorized repair facility or qualified technician. For any inquiry, please contact the dealer.

Accessory Checklist

The following accessory items are only for reference. Please consult from the local agency or check the package list supplied with the tool together.



Display Tablet
A tablet for showing test results.



Vehicle Communication Interface (VCI) Module
A device for accessing vehicle data.



Power Adapter
To supply power to the tablet through connection to AC outlet.



Type A to Type B Data Cable
To connect the VCI module to the tablet to perform vehicle diagnosis.



Type A to Type C Data Cable
To connect the tablet to PC to exchange data.



VCI Extension Cable
To connect the VCI module to vehicle's DLC.



Private & Confidential Sheet
A piece of paper bearing Product S/N and Verification Code, which is required for your VCI activation.

Adapter Cable Kit (For Commercial Vehicles)

(Optional. For different vehicle diagnostic sockets, it may be necessary to use one of the adapter cables. For detailed adapter cables, please check the package box)



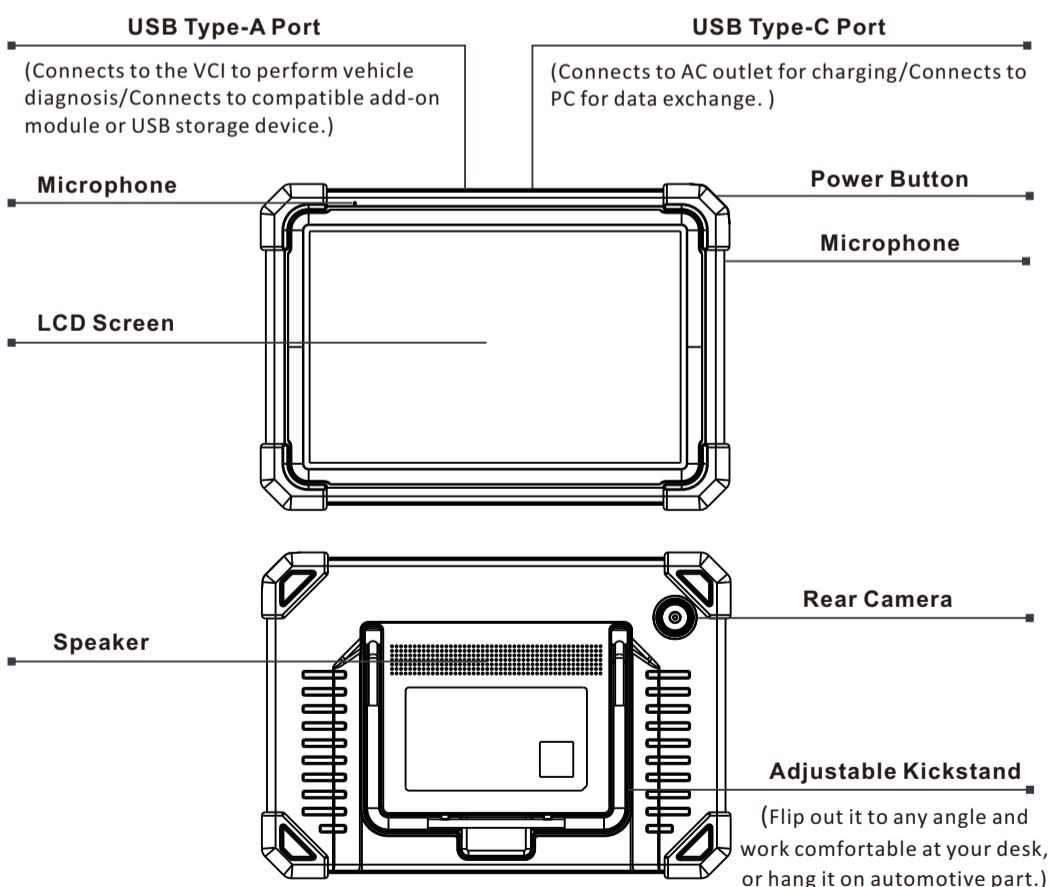
Quick Start Guide

X-431 Torque HD

Quick Start Guide

Display Tablet

The display tablet acts as the central processing system, which is used to receive and analyze the live vehicle data from the VCI and then output the test result.

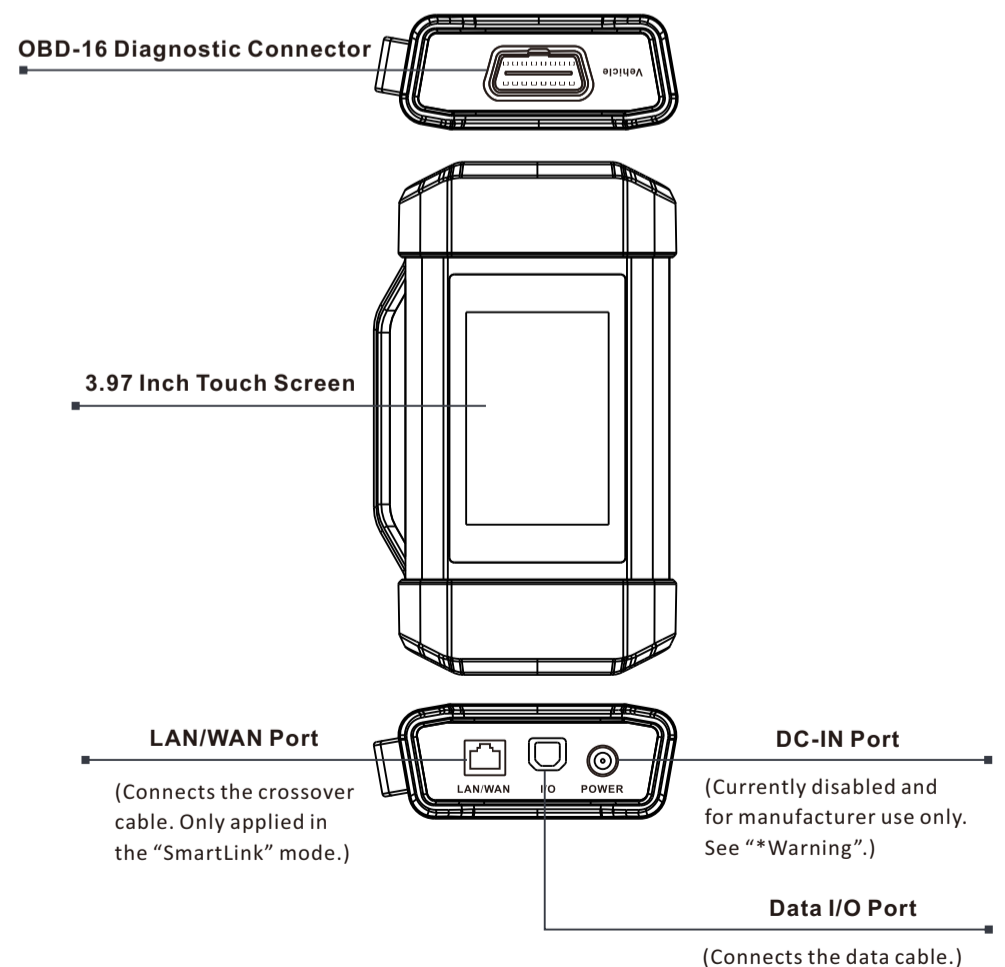


Notes:

- If the battery remains unused for a long period of time or the battery is completely discharged, it is normal that the tool will not power on while being charged. Please charge it for a period of 5 minutes and then turn it on.
For details on how to charge, refer to Section 1 "Charging & Turning On".
- Please use the included power adaptor to charge your tool. No responsibility can be assumed for any damage or loss caused as a result of using power adaptors other than the one supplied.

VCI (Vehicle Communication Interface)

The SmartLink C dongle can work as a VCI (Vehicle Communication Interface) device. It is used to read the vehicle data and then send it to the tablet via wireless (BT) communication or data cable connection.



***Warning:** The SmartLink C dongle obtains power through the vehicle's DLC, and it is prohibited to connect to an external DC power supply. No responsibility can be assumed for any damage or loss caused as a result of not strictly following the above method.

1. Charging & Turning On

1. Plug one end of the included power adaptor into the charging port of the tablet, and then other end into the AC outlet.
2. Once the battery is fully charged, disconnect the power adaptor from the AC outlet.
3. Press the [POWER] button on the tablet, the system starts initializing and then enters the home screen.

2. Changing Language

The tablet supports multiple languages. To change the language of the tool, please do the following:

1. On the home screen, tap on **Settings -> System -> Language & input -> Languages**.
2. Tap on **Add a language**, and then choose the desired language from the list.
3. Tap and hold the desired language and drag it to the top of the screen and then release it, the system will change into the target language.

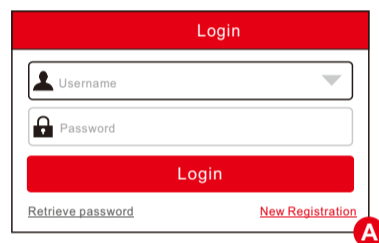
3. Wi-Fi Setup

The tablet has a built-in Wi-Fi module that can be used to get online. Once you're online, you can register your tool, update the diagnostic software & APK, surf the Internet and send email on your network.

1. On the home screen, select **Settings -> Network & Internet -> WLAN**.
2. Select the Wi-Fi switch to ON, the tablet will start searching for available wireless networks.
3. Select a wireless network:
 - If the chosen network is open, the tablet will connect automatically.
 - If the selected network is encrypted a network password will need to be entered.

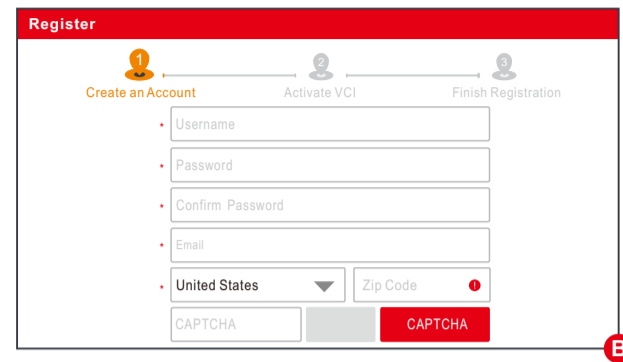
4. Register & Update

1. **Launch App**: tap on the application icon on the home screen, and then tap on **Login** on the upper right corner of the screen. Tap on **New Registration** to go to Step 2.

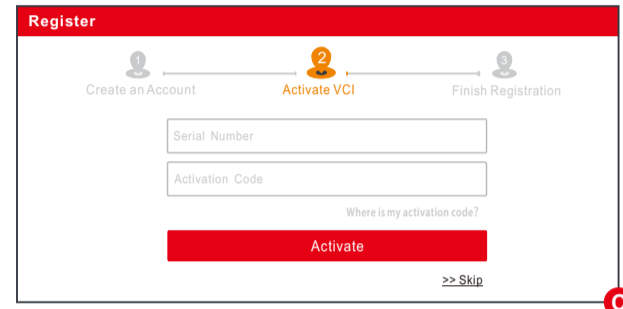


4. Register & Update(Cont.)

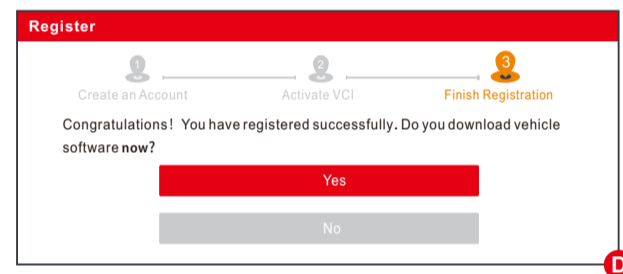
2. **Create an App Account**: Input the information (items with * must be filled) and then tap on **Register**. Refer to Figure B.



3. **Activate VCI**: Input the Product S/N and Activation Code (can be obtained from the password envelope), and then tap on **Activate**. Refer to Figure C.

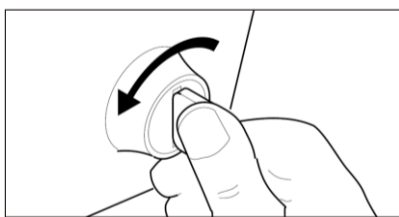


4. **Finish Registration**: To download the diagnostic software, tap on **Yes** to navigate to the download page. Tap on **No** to download and install it later. On the download page, tap on **Update** to start downloading until it is complete.



5. Preparation & Connection

1. Make sure that the vehicle battery voltage is 11-36Volts and the ignition switch is turned OFF.

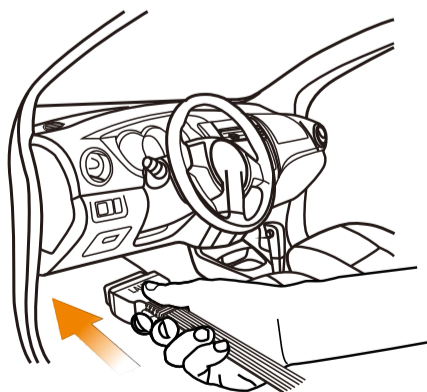


2. Locate vehicle's DLC: The DLC (Data Link Connector) is typically a connector where diagnostic tools interface with the vehicle's on-board computer. For commercial vehicles, it is generally located in the driver's cab.

If the DLC cannot be found, refer to the vehicle's service manual for the exact location.

3. Follow either of the following ways to make connection.

A. If the tool is testing a vehicle equipped with **OBD II DLC**, please use the VCI extension cable to connect the VCI device to the vehicle's DLC port directly.



B. If the tool is testing a vehicle equipped with non-OBD II DLC, a non-16pin adapter cable is required.



4. Turn the ignition on. DO NOT start the engine.

6. Start Diagnostics

This tool supports three kinds of diagnosis approaches: Smart Diagnosis, Manual Diagnosis and Tech to Tech Remote Diagnosis.

Smart Diagnosis(AutoDetect):

Through simple wireless communication between the tablet and VCI, the system will guide you directly to the fix and help you eliminate guesswork, without step-by-step manual menu selection.

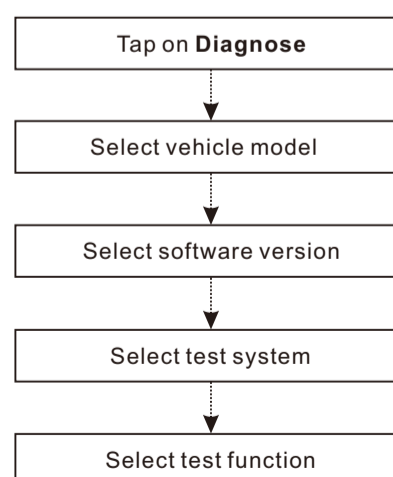
Manual Diagnosis:

You need to manually select the menu-driven command.

Tech to Tech:

This helps repair shops or mechanics to diagnose a remote vehicle, and launch instant messages, allowing for improved efficiency and faster repairs.

For new users, the Manual Diagnosis is recommended as follows:.



Note: To enjoy more capabilities and functions, you are suggested to check for updates on a frequent basis and keep synchronized with the latest available software.


For more detailed operations, please refer to the User Manual.

THANK YOU FOR CHOOSING LAUNCH!

If you have any questions or comments please forward them to:

LAUNCH Tech USA Product Support
 Phone: 877-528-6249 xt: 4
 Fax: 562-463-1590
 1820 S. Milliken Ave. Ontario, CA 91761
 Monday - Friday 5 am - 5 pm PST

Service & Repair
 Phone: 877-528-6249 xt: 5
 Monday - Friday 8 am - 5 pm PST
 Please visit our public form @
<http://launch.activeboard.com>



Important Safety Instruction

Copyright Information
Copyright © 2020 by LAUNCH TECH. CO., LTD. All rights reserved. No part of this publication may be reproduced, stored in a retrieval system, or transmitted in any form or by any means, electronic, mechanical, photocopying, recording or otherwise, without the prior written permission of LAUNCH.










Disclaimer of Warranties and Limitation of Liabilities
All information, specifications and illustrations in this publication are based on the latest information available at the time of printing. Launch reserves the right to make changes at any time without prior notice.

Safety Instructions
Before using this test equipment, please read the following safety information carefully.

- Always perform automotive testing in a safe environment.
- Wear an ANSI-approved eye shield when testing or repairing vehicles.
- The vehicle shall be tested in a well-ventilated work area, as engines produce various poisonous compounds (hydrocarbon, carbon monoxide, nitrogen oxides, etc.)
- Do not connect or disconnect any test equipment while the ignition is on or the engine is running.
- Put blocks in front of the drive wheels and never leave the vehicle unattended while testing.
- Do not drive the vehicle and operate the test equipment at the same time. Any distraction may cause an accident.
- Keep clothing, hair, hands, tools, test equipment, etc. away from all moving or hot engine parts.
- Keep a fire extinguisher suitable for chemical, gasoline and electrical fires nearby.
- Before starting the engine, put the gear lever in NEUTRAL (for manual transmission) or PARK (for automatic transmission) to avoid injury.
- To avoid damaging the test equipment or generating false data, please make sure the vehicle battery is fully charged and the connection to the vehicle DLC (Data Link Connector) is clear and secure.
- Automotive batteries contain sulfuric acid that is harmful to skin. In operation, direct contact with the automotive batteries should be avoided. Keep the ignition sources away from the battery at all times.
- CAUTION:** Please use the included power adaptor to charge your tool. No responsibility can be assumed for any damage or loss caused as a result of using power adaptors other than the one supplied.
- DANGER:** Do not attempt to replace the internal rechargeable lithium battery. Risk of explosion if the battery is replaced with an incorrect type. Contact the dealer for factory replacement.
- The tool is a sealed unit. There are no end-user serviceable parts inside. All internal repairs must be done by an authorized repair facility or qualified technician. For any inquiry, please contact the dealer.

Accessory Checklist

The following accessory items are only for reference. Please consult from the local agency or check the package list supplied with the tool together.

 Display Tablet A tablet for showing test results.	 Vehicle Communication Interface (VCI) Module A device for accessing vehicle data.	 Power Adapter To supply power to the tablet through connection to AC outlet.
 Type A to Type B Data Cable To connect the VCI module to the tablet to perform vehicle diagnosis.	 Type A to Type C Data Cable To connect the tablet to PC to exchange data.	 VCI Extension Cable To connect the VCI module to vehicle's DLC.
 Private & Confidential Sheet A piece of paper bearing Product S/N and Verification Code, which is required for your VCI activation.	 Adapter Cable Kit (For Commercial Vehicles) (Optional. For different vehicle diagnostic sockets, it may be necessary to use one of the adapter cables. For detailed adapter cables, please check the package box)	 Quick Start Guide



X-431 Torque HD
Quick Start Guide

Display Tablet

The display tablet acts as the central processing system, which is used to receive and analyze the live vehicle data from the VCI and then output the test result.

USB Type-A Port
(Connects to the VCI to perform vehicle diagnosis/Connects to compatible add-on module or USB storage device.)

Microphone

LCD Screen

Speaker

USB Type-C Port
(Connects to AC outlet for charging/Connects to PC for data exchange.)

Power Button

Microphone

Rear Camera

Adjustable Kickstand
(Flip out to any angle and work comfortable at your desk, or hang it on automotive part.)

Notes:

- If the battery remains unused for a long period of time or the battery is completely discharged, it is normal that the tool will not power on while being charged. Please charge it for a period of 5 minutes and then turn it on.
- For details on how to charge, refer to Section 1 "Charging & Turning On".
- Please use the included power adaptor to charge your tool. No responsibility can be assumed for any damage or loss caused as a result of using power adaptors other than the one supplied.

VCI (Vehicle Communication Interface)

The SmartLink C dongle can work as a VCI (Vehicle Communication Interface) device. It is used to read the vehicle data and then send it to the tablet via wireless (BT) communication or data cable connection.

OBD-16 Diagnostic Connector

3.97 Inch Touch Screen

LAN/WAN Port
(Connects the crossover cable. Only applied in the "SmartLink" mode.)




DC-IN Port
(Currently disabled and for manufacturer use only. See "Warning".)

Data I/O Port
(Connects the data cable.)

***Warning:** The SmartLink C dongle obtains power through the vehicle's DLC, and it is prohibited to connect to an external DC power supply. No responsibility can be assumed for any damage or loss caused as a result of not strictly following the above method.





Important Safety Instruction

Copyright Information
Copyright © 2020 by LAUNCH TECH. CO., LTD. All rights reserved. No part of this publication may be reproduced, stored in a retrieval system, or transmitted in any form or by any means, electronic, mechanical, photocopying, recording or otherwise, without the prior written permission of LAUNCH.









Disclaimer of Warranties and Limitation of Liabilities
All information, specifications and illustrations in this publication are based on the latest information available at the time of printing. Launch reserves the right to make changes at any time without prior notice.

Safety Instructions
Before using this test equipment, please read the following safety information carefully.

- Always perform automotive testing in a safe environment.
- Wear an ANSI-approved eye shield when testing or repairing vehicles.
- The vehicle shall be tested in a well-ventilated work area, as engines produce various poisonous compounds (hydrocarbon, carbon monoxide, nitrogen oxides, etc.)
- Do not connect or disconnect any test equipment while the ignition is on or the engine is running.
- Put blocks in front of the drive wheels and never leave the vehicle unattended while testing.
- Do not drive the vehicle and operate the test equipment at the same time. Any distraction may cause an accident.
- Keep clothing, hair, hands, tools, test equipment, etc. away from all moving or hot engine parts.
- Keep a fire extinguisher suitable for chemical, gasoline and electrical fires nearby.
- Before starting the engine, put the gear lever in NEUTRAL (for manual transmission) or PARK (for automatic transmission) to avoid injury.
- To avoid damaging the test equipment or generating false data, please make sure the vehicle battery is fully charged and the connection to the vehicle DLC (Data Link Connector) is clear and secure.
- Automotive batteries contain sulfuric acid that is harmful to skin. In operation, direct contact with the automotive batteries should be avoided. Keep the ignition sources away from the battery at all times.
- CAUTION:** Please use the included power adaptor to charge your tool. No responsibility can be assumed for any damage or loss caused as a result of using power adaptors other than the one supplied.
- DANGER:** Do not attempt to replace the internal rechargeable lithium battery. Risk of explosion if the battery is replaced with an incorrect type. Contact the dealer for factory replacement.
- The tool is a sealed unit. There are no end-user serviceable parts inside. All internal repairs must be done by an authorized repair facility or qualified technician. For any inquiry, please contact the dealer.

Accessory Checklist

The following accessory items are only for reference. Please consult from the local agency or check the package list supplied with the tool together.

 Display Tablet A tablet for showing test results.	 Vehicle Communication Interface (VCI) Module A device for accessing vehicle data.	 Power Adapter To supply power to the tablet through connection to AC outlet.
 Type A to Type B Data Cable To connect the VCI module to the tablet to perform vehicle diagnosis.	 Type A to Type C Data Cable To connect the tablet to PC to exchange data.	 VCI Extension Cable To connect the VCI module to vehicle's DLC.
 Private & Confidential Sheet A piece of paper bearing Product S/N and Verification Code, which is required for your VCI activation.	 Adapter Cable Kit (For Commercial Vehicles) (Optional. For different vehicle diagnostic sockets, it may be necessary to use one of the adapter cables. For detailed adapter cables, please check the package box)	 Quick Start Guide



制作要求:

纸张要求: 原始文档为A3大小 (297mm x 420mm), 按1:1输出

制作方式: 垂直对折, 对折后尺寸为A4

印刷要求: 彩色, 80g内页纸

首页